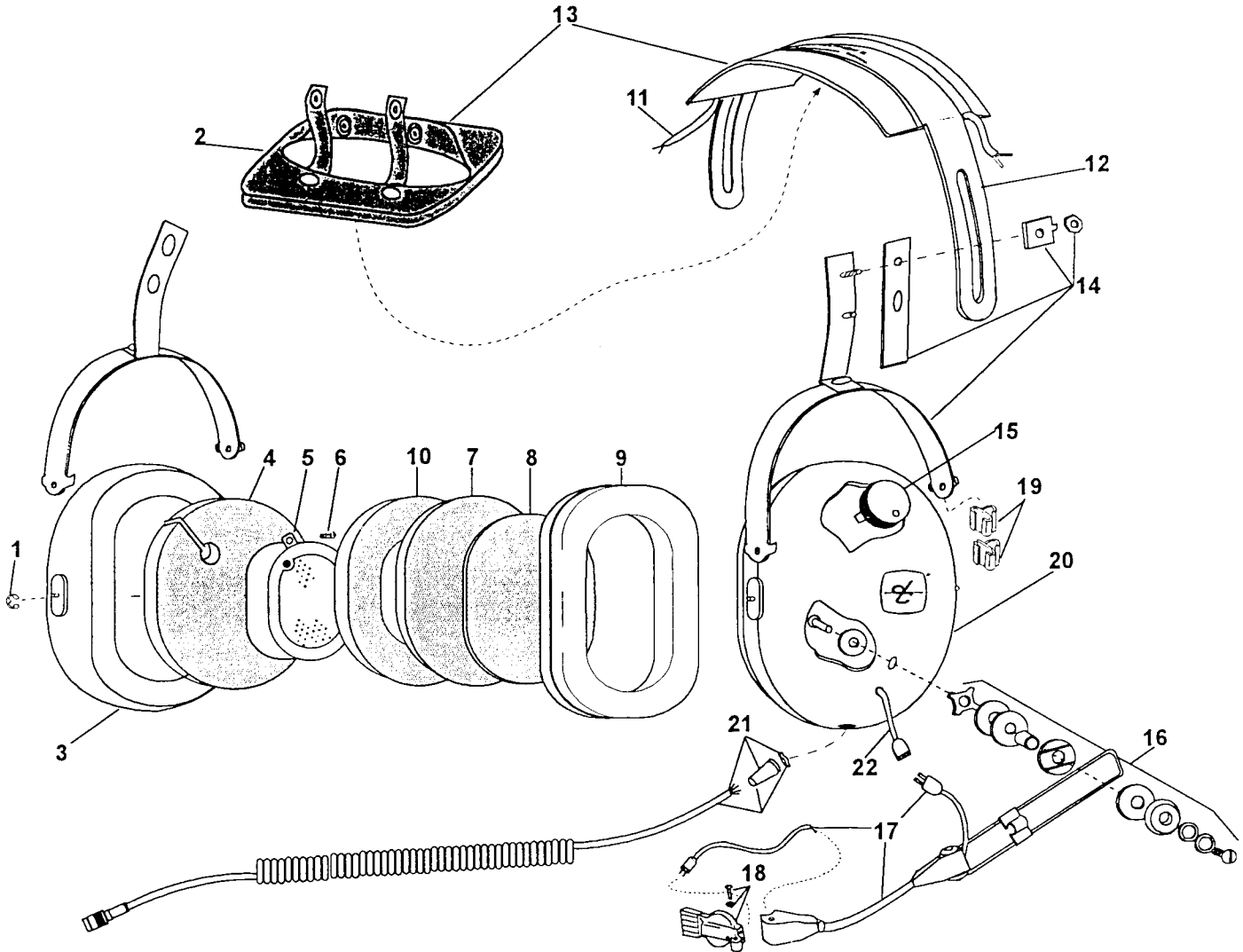


David Clark COMPANY
INCORPORATED

360 Franklin Street, Box 15054, Worcester, MA 01615-0054
TEL.: (508) 751-5800 E-Mail: sales@DavidClark.com FAX: (508) 753-5827

**PARTS LIST
MODEL H10-76X
HEADSET ONLY**



No.	Description	Part No.
1	Retaining Ring (10/pk)	00009M-03
2	Headpad Restraint, Foam	40266G-03
3	Right Dome	15253P-23
4	Filter, Outer, Yellow	15511P-01
5	Module with Bracket	40688G-03
6	Screw (4/pk)	18900G-47
7	Filter, Inner	15509P-02
8	Filter, Cloth	15512P-03
9	Flo-Fit Gel Earseals (pair)	40243G-02
10	Filter, Middle, Charcoal	15510P-01
11	Overhead Cord Kit	22607G-12

No.	Description	Part No.
12	Headband Spring	15093P-01
13	Headpad Assy	18900G-48
14	Stirrup & Clamp Kit	22378G-12
15	Volume Control	09349P-47
16	Boom Attachment Kit	12840G-09
17	Mic Boom & Cord Assy	18740G-13
18	M-87 Mic	09168P-18
19	Clip, Cord (4/pk)	15350P-02
20	Left Dome	15253P-14
21	Comm Cord Kit	40599G-04
22	Mic Jack Cord Kit	18825G-12

ELECTRICAL SCHEMATIC H10-76X HEADSET ONLY

