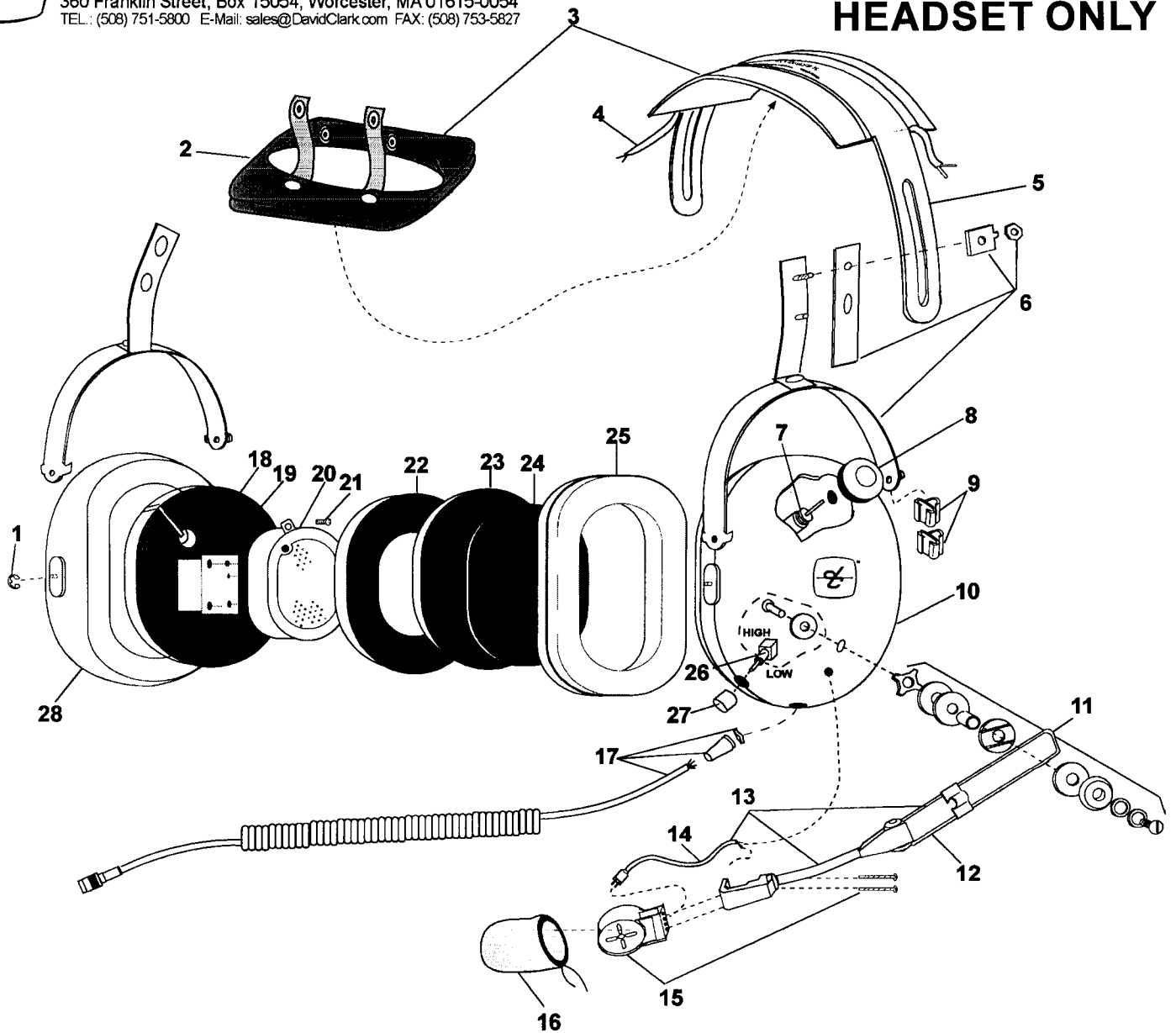


# David Clark COMPANY INCORPORATED

360 Franklin Street, Box 15054, Worcester, MA 01615-0054  
TEL.: (508) 751-5800 E-Mail: sales@DavidClark.com FAX: (508) 753-5827

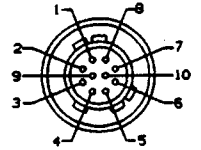
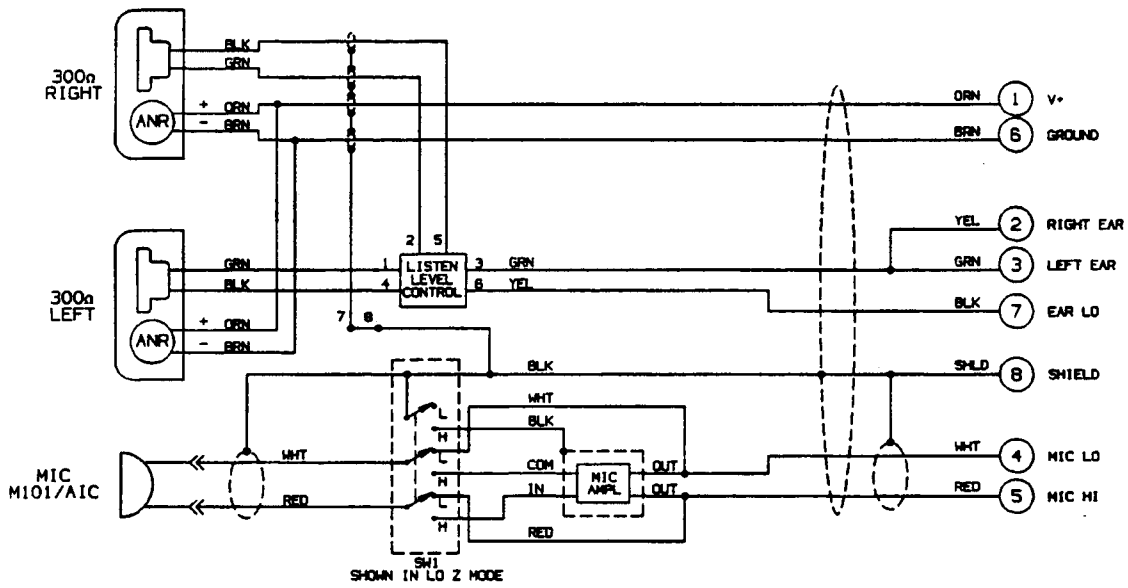
## PARTS LIST MODEL H10-66X HEADSET ONLY



No.	Description	Part No.
1	Retaining Ring (10/pk)	00009M-03
2	Headpad Restraint, Foam	40266G-03
3	Headpad Assy	18900G-48
4	Overhead Cord Kit	22607G-12
5	Headband Spring	15093P-01
6	Stirrup & Clamp Kit	22378G-12
7	Volume Control w/PCB	18913G-01
8	Volume Control Knob	15109G-01
9	Clip, Cord (4/pk)	15125P-02
10	Left Dome	11353P-56
11	Boom Attachment Kit	12840G-09
12	Microphone Boom Assy	18688G-07
13	Mic Boom & Cord Assy	18740G-09
14	Mic Plug Cord	18744G-05

No.	Description	Part No.
15	MicM-101/AIC	09168P-20
16	Mic Protector	18434G-02
17	Comm Cord Kit	40599G-04
18	Filter, Outer, Yellow	15511P-02
19	Amplifier	18911G-01
20	Module with Bracket	40688G-29
21	Screw (10/pk)	13180P-03
22	Filter, Middle, Charcoal	15510P-02
23	Filter, Inner	15509P-02
24	Filter, Cloth	15512P-03
25	Flo-Fit Gel Earseals (pair)	40243G-02
26	Toggle Switch (H10-66)	09494P-02
27	Switch Guard (H10-66)	13148P-01
28	Right Dome	11353P-55

# ELECTRICAL SCHEMATIC H10-66X HEADSET ONLY



EXTERNAL PIN VIEW