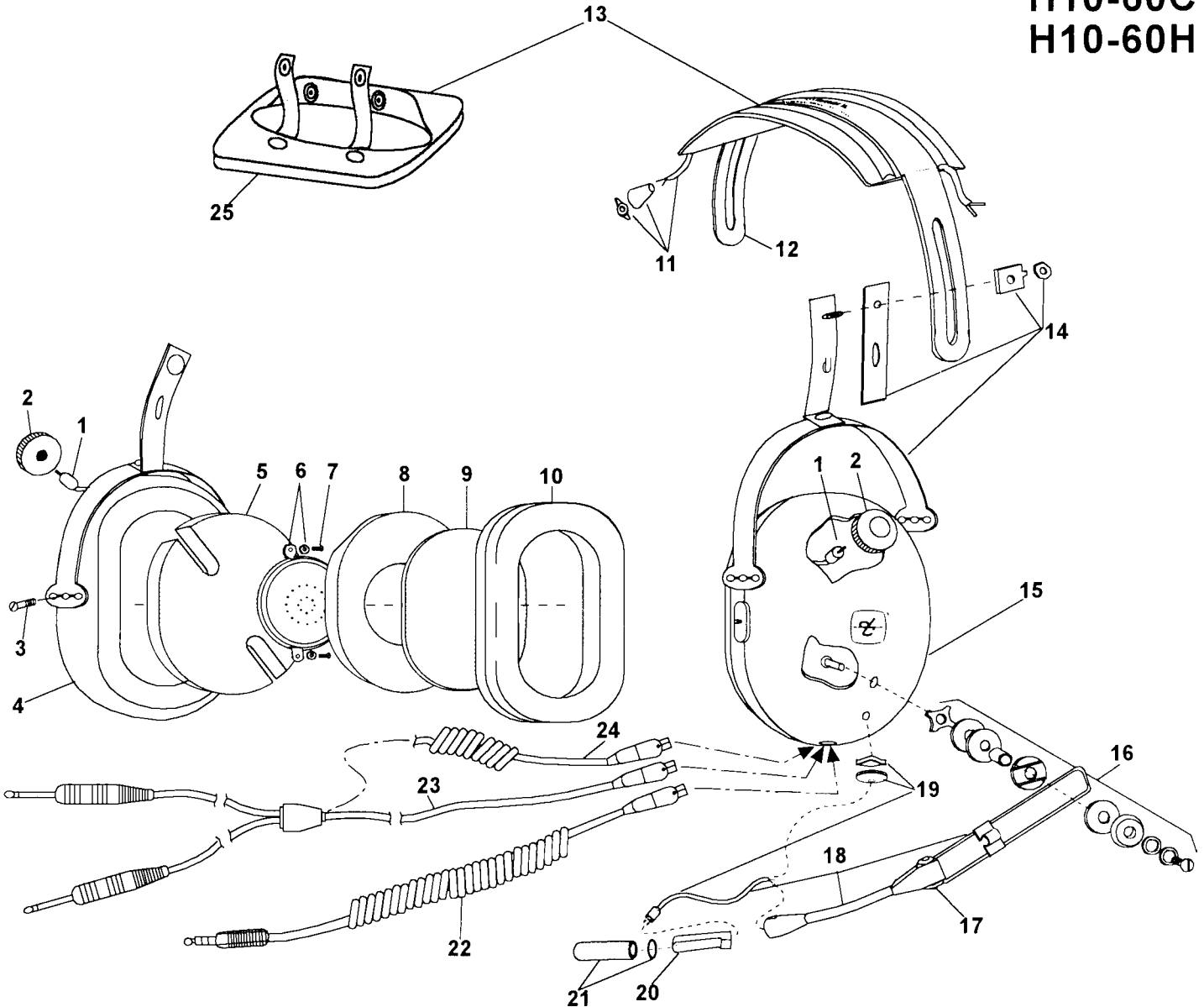


David Clark COMPANY
INCORPORATED

360 Franklin Street, Box 15054, Worcester, MA 01615-0054
TEL.: (508) 751-5800 E-Mail: sales@DavidClark.com FAX: (508) 753-5827

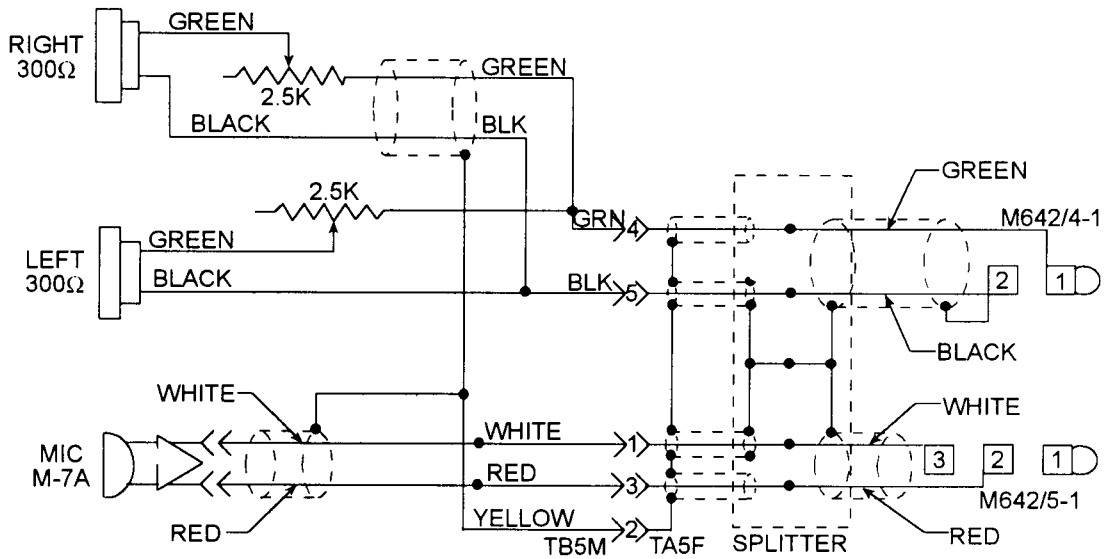
PARTS LIST
MODELS H10-60®
H10-60C
H10-60H



No.	Description	Part No.
1	Volume Control	09349P-43
2	Volume Control Knob	15109P-01
3	Screw, Shoulder (10/pk)	18900G-21
4	Right Dome	15140P-02
5	Filter	26475P-02
6	Earphone Assembly	10376G-20
7	Screw (10/pk)	13180P-06
8	Filter	25629P-03
9	Filter	14096P-09
10	Flo-Fit Gel Earseals (pair)	40243G-02
11	Overhead Cord Kit	22607G-06
12	Headband Spring	15093P-01
13	Headpad Assy	18900G-45

No.	Description	Part No.
14	Stirrup & Clamp Kit	22378G-10
15	Left Dome	15140P-01
16	Boom Attachment Kit	12840G-09
17	Microphone Boom Assy	18688G-04
18	Mic Boom & Cord Assy	18740G-05
19	Mic Plug Cord	18744G-01
20	M-7A Electret Mic	09168P-33
21	Mic Protector	40062G-02
22	Comm Cord (H10-60H)	40133G-06
23	Comm Cord (H10-60)	40133G-04
24	Comm Cord (H10-60C)	40133G-05
25	Headpad Restraint, Foam	40266G-01

H10-60, H10-60C



H10-60H

