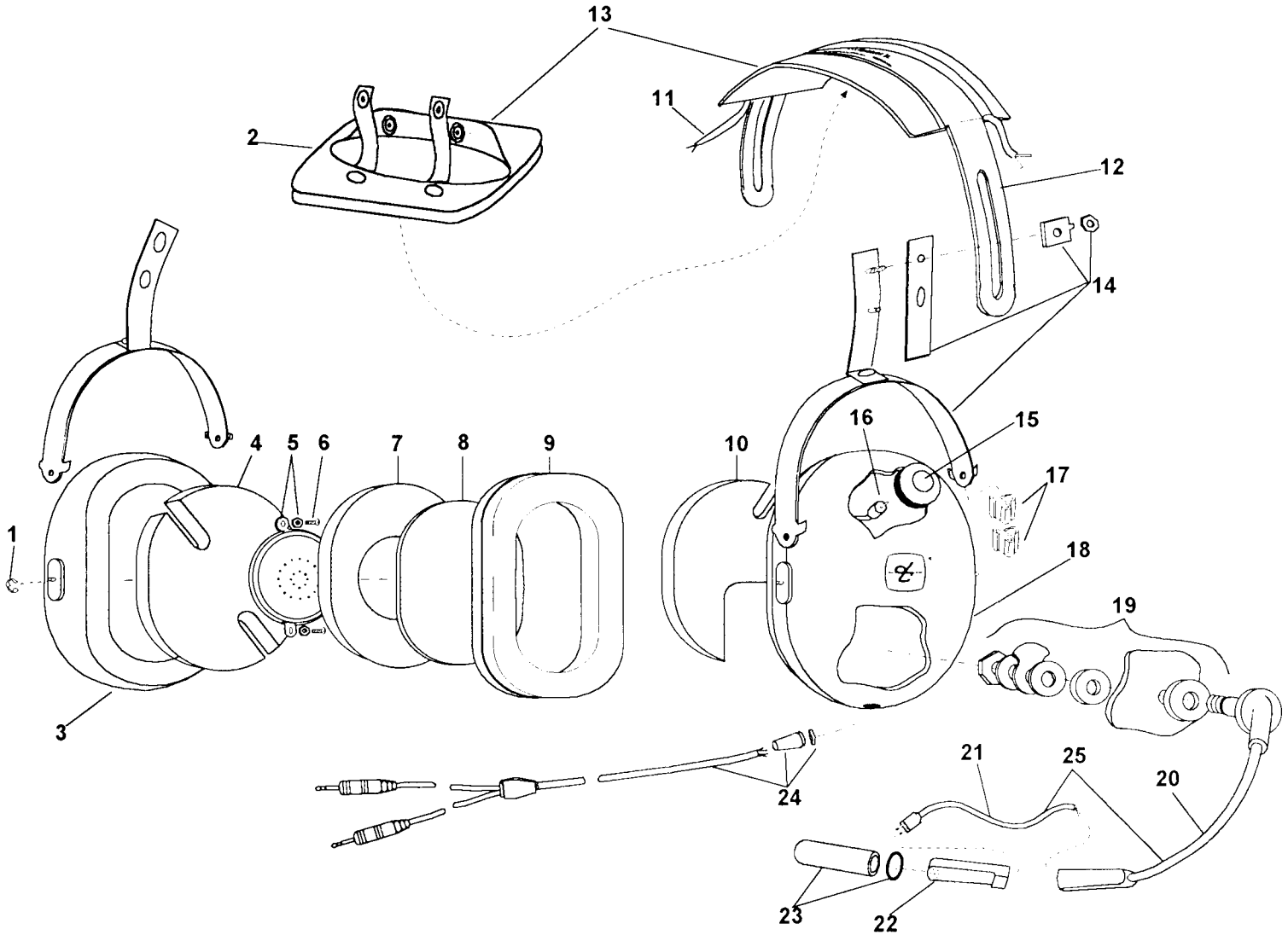


PARTS LIST
H10-13.4®



No.	Description	Part No.
1	Retaining Ring (10/pk)	00009M-03
2	Headpad Restraint, Foam	40266G-03
3	Right Dome	15253P-04
4	Filter	26475P-02
5	Earphone Assembly	10376G-20
6	Screw/Grommet (4/pk)	18900G-47
7	Filter	25629P-03
8	Filter	14096P-09
9	Earseal (pair)	
	Foam Filled Earseals	18316G-02
	Flo-Fit Gel Earseals	40243G-02
10	Filter	26475P-08
11	Overhead Cord Kit	22607G-01
12	Headband Spring	15093P-01

No.	Description	Part No.
13	Headpad Assy	18900G-48
14	Stirrup & Clamp Kit	22378G-12
15	Volume Control Knob	15109P-01
16	Volume Control	09349P-34
17	Clip, Cord (4/pk)	15350P-02
18	Left Dome	15253P-03
19	Boom Attachment Kit	12840G-08
20	Mic Boom Assy	18688G-02
21	Mic Plug Cord	18744G-01
22	M-7A Electret Mic	09168P-33
23	Mic Protector	40062G-02
24	Comm Cord Kit	18028G-01
25	Flex Boom Assy	18740G-04

ELECTRICAL SCHEMATIC

H10-13.4

