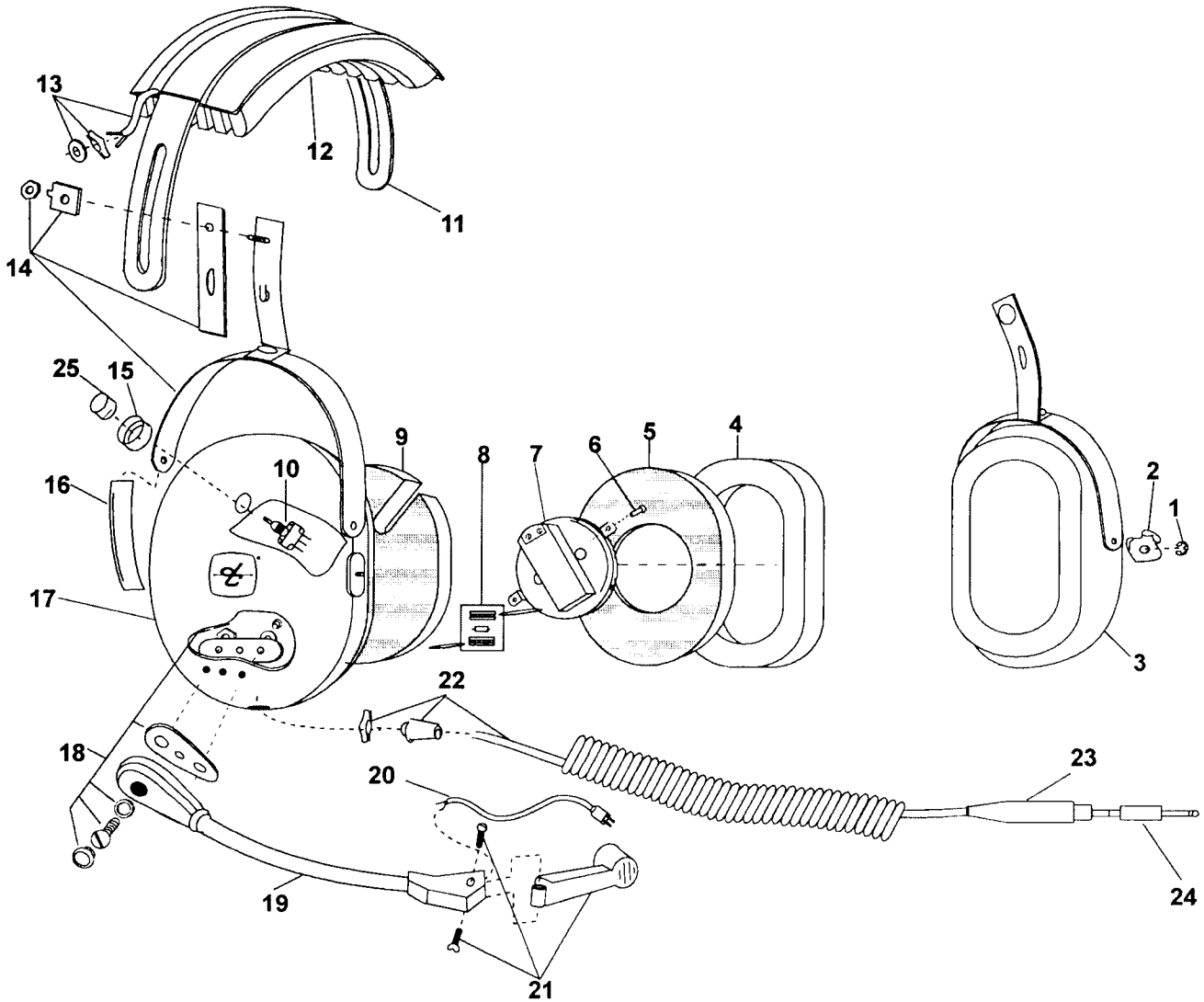


David Clark COMPANY
INCORPORATED

360 Franklin Street, Box 15054, Worcester, MA 01615-0054
TEL (508) 751-5800 E-Mail: sales@DavidClark.com FAX: (508) 753-5827

PARTS LIST
P/N 40677G-01



No.	Description	Part No.
1	Retaining Ring (10/pk)	00009M-03
2	Dome Stop	15097P-01
3	Left Dome	11696P-64
4	Earseal (pair)	18316G-02
5	Filter	25629P-03
6	Screw (10/pk)	13180P-03
7	Earphone Assembly	10376G-17
8	PCB Assembly	18289G-13
9	Filter	26475P-02
10	Push Button Switch	09851P-17
11	Headband Spring	25630P-01
12	Headpad Assembly	10133G-41
13	Overhead Cord Kit	22607G-01

No.	Description	Part No.
14	Stirrup & Clamp Kit	22378G-08
15	Switch Guard	13148P-01
16	Heat Shrink Tube (10/pk)	18326G-01
17	Right Dome	11696P-33
18	Boom Attachment Kit	12840G-07
19	Flex Boom Assembly	18812G-03
20	Mic Plug Cord	18744G-01
21	M-1A Amplified Dynamic Mic	18920G-02
22	Comm Cord Kit	18028G-28
23	Bend Relief Sleeve	17836P-03
24	Connector Kit	18900G-42
25	Switch Knob	13056P-08

ELECTRICAL SCHEMATIC

P/N 40677G-01

